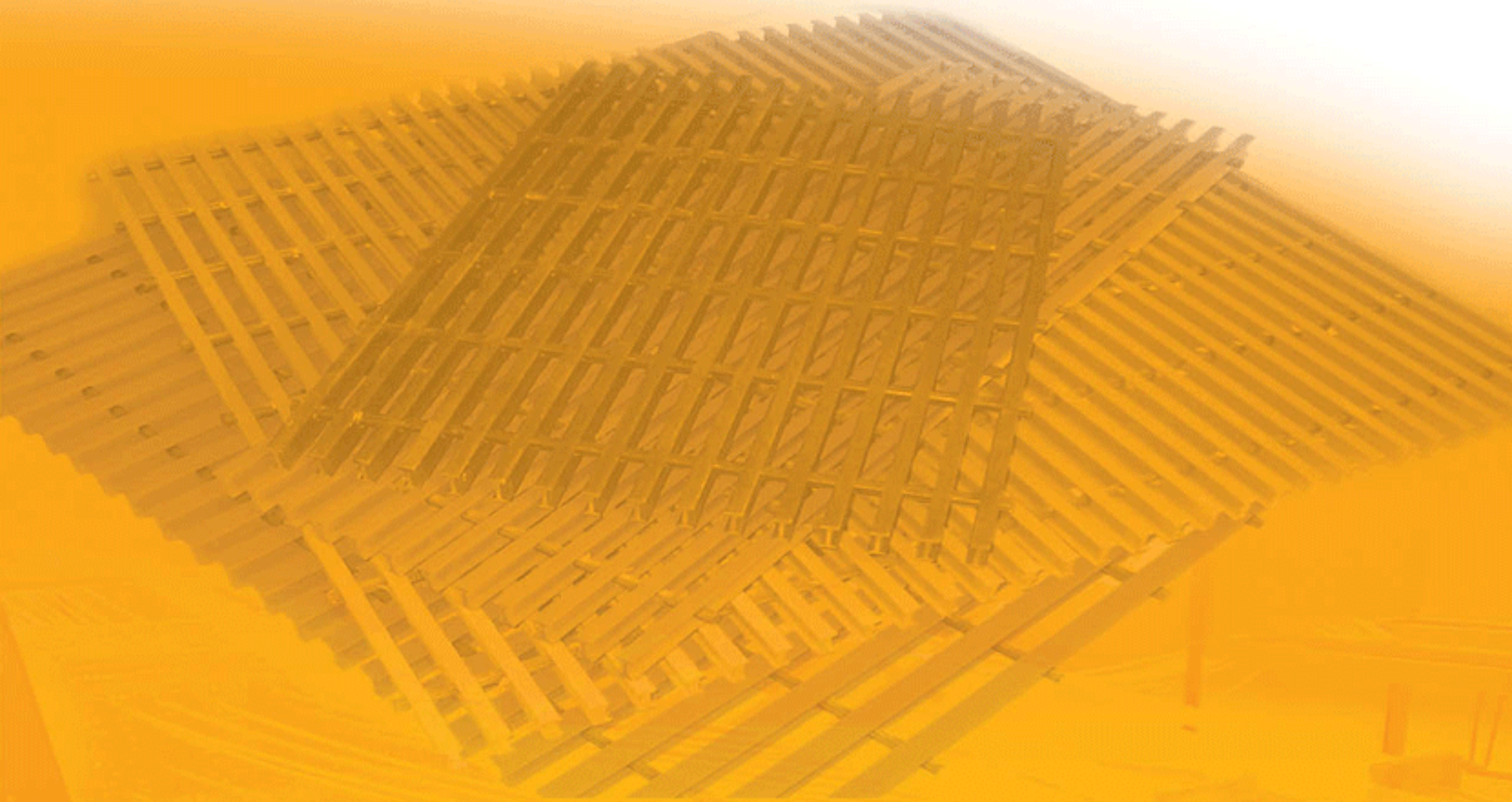




CHINAGRATE



PULTRUDED

Fiberglass Grating

Guide



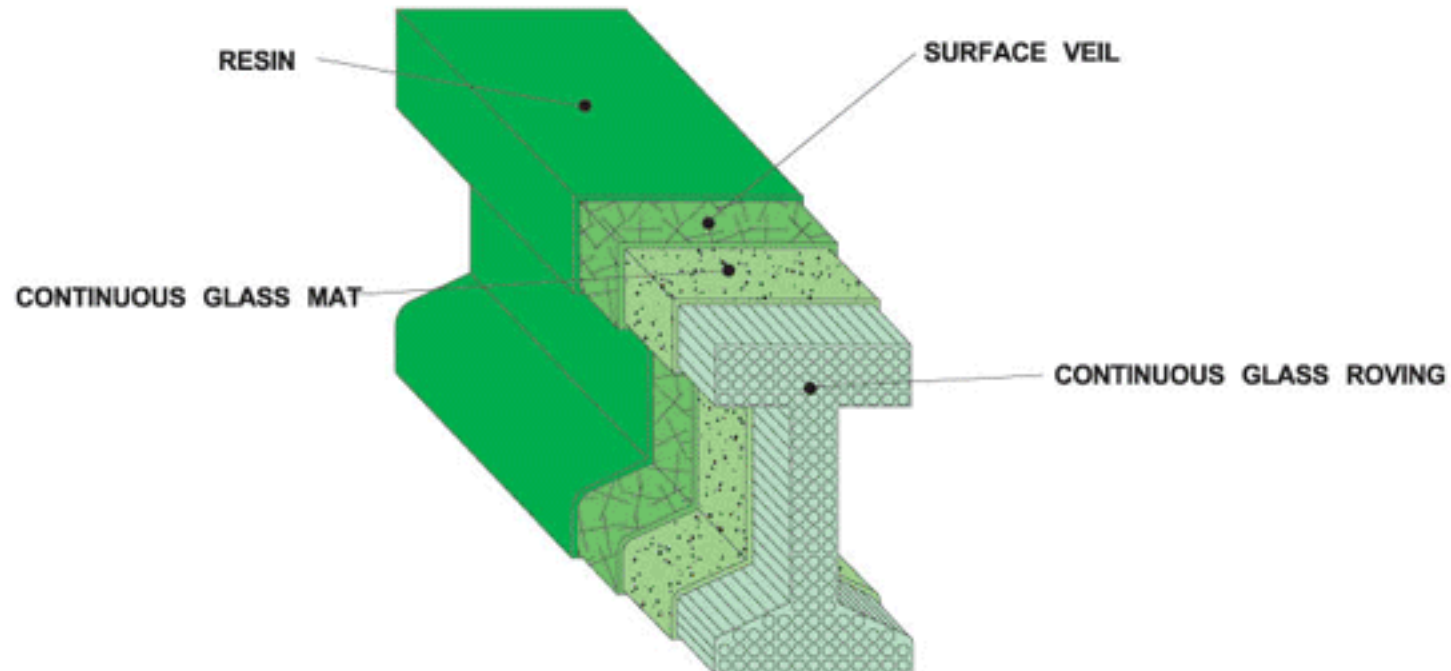
CHINAGRATE

What is Pultrusion?

Pultrusion is an automated manufacturing process for the production of constant cross-sectionally shaped profiles of glass fiber reinforced polymer (GRP) composites. The profiles produced with this process can compete with traditional metal profiles such as steel and aluminum for strength and weight. The polymer reinforced matrix can be formulated to meet the demanding chemical, flame retardant, electrical and environmental conditions.

What is PANDADECK®?

Pandadeck® is designed and produced using both I-beam and T-bar profiles to provide lasting performance. While most manufacturers offer either two-part or three-part interlock system, we offer both systems and more selections. Pandadeck® delivers ultimate performance of strength, corrosion resistance, fire retardance, and structural integrity.



Product Selection

PRODUCT TYPE	BAR TYPE	OPEN AREA %	THICKNESS in/mm	BAR PER mtr/ft	APPR. WEIGHT lb/ft ² / kg/m ²	AVAIL. RESIN	AVAIL. COLOR
I60100	I	60	1" / 25mm	26/8	2.39 / 11.68	VE IS ISF OR	YE GRY GRN
I50100	I	50	1" / 25mm	32/10	2.89 / 14.13		
I40100	I	40	1" / 25mm	39/12	3.40 / 16.58		
I60125	I	60	1.25" / 32mm	26/8	2.59 / 12.66		
I50125	I	50	1.25" / 32mm	32/10	3.15 / 15.35		
I40125	I	40	1.25" / 32mm	39/12	3.70 / 18.05		
I60150	I	60	1.5" / 38mm	26/8	2.95 / 14.4		
I50150	I	50	1.5" / 38mm	32/10	3.59 / 17.54		
I40150	I	40	1.5" / 38mm	39/12	4.24 / 20.67		
T50200	T	50	2" / 50mm	19/6	3.38 / 16.51		
T33200	T	33	2" / 50mm	26/8	4.36 / 21.28		
T18100	T	18	1" / 25mm	19/6	2.41 / 11.74		
T00100	T	0	1" / 25mm	24/7	2.82 / 13.77		

Size Selection

Standard Panels Size			Other Available
3' x 8'	4' x 8'	5' x 8'	3' x 24'
3' x 10'	4' x 10'	5' x 10'	4' x 24'
3' x 12'	4' x 12'	5' x 12'	5' x 24'
3' x 20'	4' x 20'	5' x 20'	

Application Fields

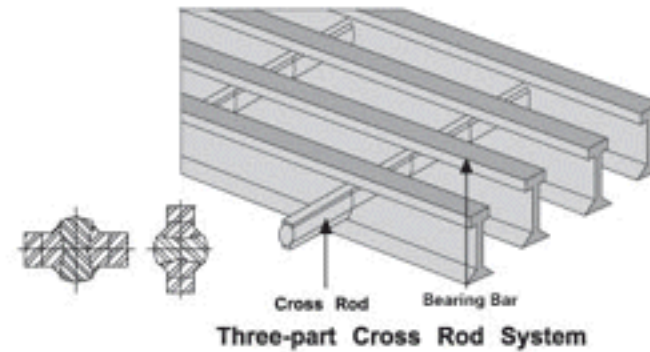
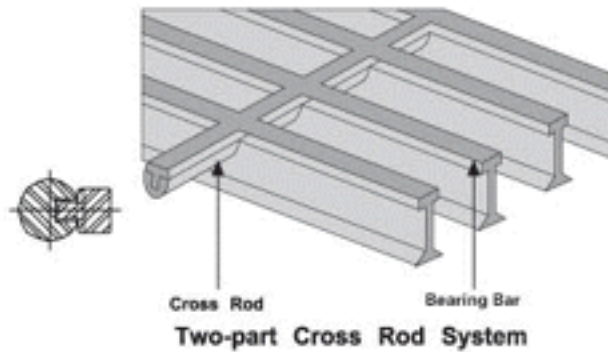
- Chemical Plants
- Mine Industry
- Food Processing
- Metal Finishing
- Water Treatment
- Tannery Plants
- Petrochemical Plants
- Processing Plants
- Pulp and Paper Mills
- Smelting and Refining Areas
- Oil Rigs
- Ship Decks

Main Characteristics

- Corrosion Resistant
- High Strength
- Light Weight
- Fire Resistant
- Maintenance Free
- Easy Fabrication
- Rust Free & Weather Proof
- Non-conductive
- UV Resistant

Cross Rod Systems

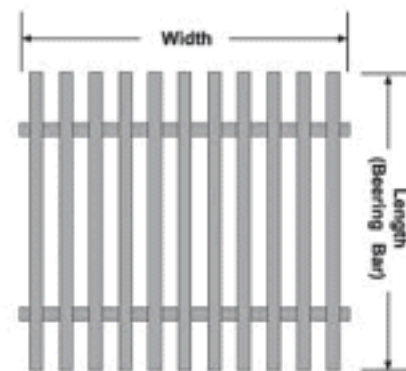
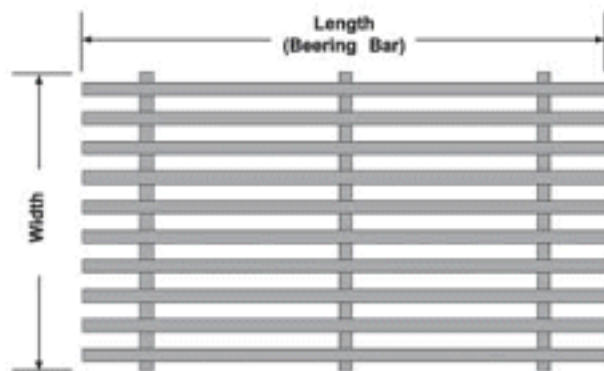
We are the only company in the industry to offer two cross rod systems.



Typical Properties of PANDADECK® Pultruded Gratings

Property	Test Method	Units	I Series 70%-75% glass	T Series 65%-70% glass
Tensile Strength	ASTM D-638	PSI	125,000	100,000
Tensile Modulus	ASTM D-638	PSI	6.0x10 ⁶	5.6x10 ⁶
Flexural Strength	ASTM D-790	PSI	125,000	100,000
Flexural Modulus	ASTM D-790	PSI	6.0x10 ⁶	5.6x10 ⁶
Compressive Strength	ASTM D-695	PSI	65,000	60,000
Izod Impact Notch	ASTM D-256	Ft-lb/in	40	40
Barcol Hardness	ASTM D-792		50 (Min)	50 (Min)
Specific Gravity	ASTM D-570		2	2
Water Absorption	ASTM E-84	Max	0.3	0.3
Fire Retardant	ASTM D-635	%	Less than 25	Less than 26
			Self	Self

Panel Sizes: Width x Length



Surfaces:

X - Epoxy bonded grit coating (Standard) Z - Flush (smooth) surface

Resin Selection

Resin	Description	Surface	Corrosion Resistance	ASTM E 84	Max Oper. Temperature
VE	Vinyl ester	X,Z	Superb	Class I 25	228 F
IS	Isophthalic	X,Z	Excellent	Class I 25	218 F
ISF	Isophthalic Food Grade	X,Z	Excellent	Non-Fire Retardant	218 F
OR	Grade	X,Z	Good	Class I 25	208 F

Chinagrate has selected a few resin manufacturers in China to work with. Some are local companies, others are multi-nationals. As we understand that resin is critical in providing the corrosion resistance of the grating products, we have selected the following four different resin choices to ensure every application is covered for corrosion requirement and cost considerations. As additives can be added to make the resin fire-retardant, we can make the same resin fire-retardant or non fire-retardant.

Type VE is a premium vinyl ester resin. This resin can perform well even in the harshest environments by withstanding the constant contact of a wide range of acids and caustics. It's been used in some of the most demanding applications such as offshore, waste water, mining and plating. Type VE type comes with a flame spread rating of 25 or less.

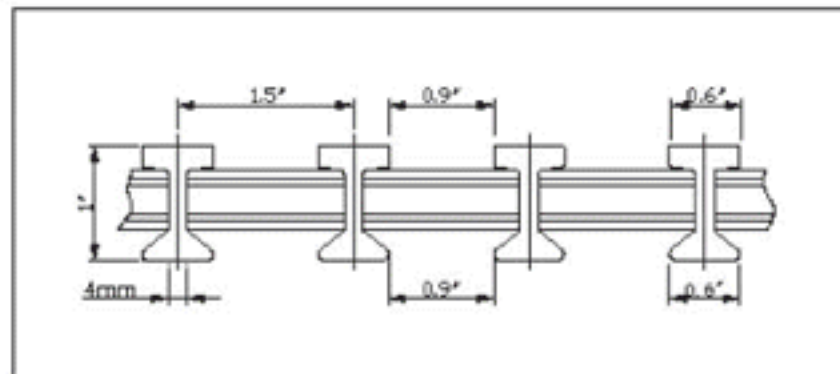
Type IS is a premium Isophthalic polyester resin. This resin is a very popular choice for most applications due to good corrosion resistant character and greatly-reduced cost compared with vinyl ester resin. It's mostly used in applications where there is a possibility of splash or spill of harsh chemicals. Type IS comes with a flame spread rating of 25 or less.

Type ISF is also Isophthalic polyester resin but food-grade, none fire-retardant and can be safely used in food processing.

Type OR is a Orthophthalic polyester resin mostly used for general purpose. It is an ideal choice in light industrial applications and in moderate corrosive environments. It offers superior protection from corrosion and rust compared with traditional metal gratings. Its low cost makes it popular in many outdoor general applications such as water treatment, irrigation application, walkways, and trench covers. OR type comes with a flame spread rating of 25 or less.

Pandadeck® I60100 - 1" I Bar 60% Open Load Table (Imperial)

SPAN INCHES		LOAD in LBS/SQUARE FOOT (PSF) - DEFLECTION IN INCHES								SAFE LOAD LBS
		50	100	150	200	250	500	1000	2000	
12	△U	<0.01	<0.01	<0.01	<0.01	<0.01	0.01	0.02	0.05	10089
	△C	<0.01	<0.01	<0.01	0.01	0.01	0.02	0.04	0.08	5044
18	△U	<0.01	<0.01	0.01	0.02	0.02	0.05	0.09	0.19	4805
	△C	<0.01	0.01	0.02	0.02	0.03	0.05	0.10		3605
24	△U	0.01	0.03	0.04	0.05	0.07	0.13			2813
	△C	0.01	0.02	0.03	0.04	0.05	0.10	0.21		2813
30	△U	0.03	0.06	0.09	0.12	0.15				1800
	△C	0.02	0.04	0.06	0.08	0.10	0.19	0.39		2250
36	△U	0.06	0.12	0.18	0.24	0.31				1250
	△C	0.03	0.07	0.10	0.13	0.16	0.33			1875
42	△U	0.11	0.22	0.33	0.44					915
	△C	0.05	0.10	0.15	0.20	0.25				1600
48	△U	0.19	0.37							697
	△C	0.07	0.15	0.22	0.30	0.37				1394
54	△U	0.30								549
	△C	0.11	0.21	0.32	0.42					1236



Pandadeck® I60100 - 25mm I Bar 60% Open Deflection Table (Metric)

SPAN IN MM		LOAD in kN/SQUARE METERS (PSM) - DEFLECTION IN MILLIMETERS														SAFE LOAD kn
		3	5	8	10	13	15	20	25	39	50	100	150	200	250	
400	△U	0.1	0.2	0.3	0.3	0.4	0.5	0.6	0.8	1.2	1.6	3.2	4.8	6.4	8.0	298
	△C	0.4	0.6	1.0	1.3	1.7	1.9	2.6	3.2	5.0	6.4	12.8				59
600	△U	0.4	0.7	1.0	1.3	1.7	2.0	2.6	3.3	5.1	6.6	13.1				143
	△C	1.0	1.7	2.8	3.5	4.5	5.2	7.0	8.7	13.6						43
800	△U	1.2	1.9	3.1	3.9	5.0	5.8	7.7	9.6	15.1						82
	△C	2.3	3.9	6.2	7.7	10.0	11.6	15.4								33
1000	△U	2.8	4.6	7.3	9.2	11.9	13.8									53
	△C	4.4	7.3	11.7	14.7											26
1200	△U	5.6	9.3	14.9												35
	△C	7.5	12.4													22

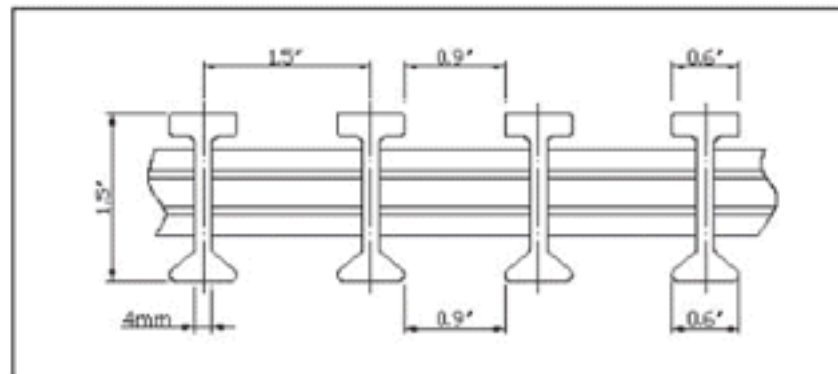


C=Concentrated line load-lbs/ft or kg/mtr of width
 △C=Concentrated line load deflection (in/mm)

U=Uniform load-lbs/ft or kg/mtr of width
 △U=Uniform load deflection (in/mm)

Pandadeck® I60150 - 1.5" I Bar 60% Open Load Table (Imperial)

SPAN INCHES		LOAD in LBS/SQUARE FOOT (PSF) - DEFLECTION IN INCHES								SAFE LOAD
		50	100	150	200	250	500	1000	2000	LBS
12	△U	<0.01	<0.01	<0.01	<0.01	<0.01	0.01	0.01	0.02	17073
	△C	<0.01	<0.01	<0.01	<0.01	<0.01	0.01	0.02	0.04	8536
18	△U	<0.01	<0.01	0.01	0.01	0.01	0.02	0.04	0.08	7588
	△C	<0.01	<0.01	0.01	0.01	0.01	0.02	0.04	0.08	5691
24	△U	0.01	0.01	0.02	0.02	0.03	0.05	0.10	0.21	4268
	△C	<0.01	0.01	0.01	0.02	0.02	0.04	0.08	0.17	4268
30	△U	0.01	0.02	0.03	0.05	0.06	0.12	0.23		2690
	△C	0.01	0.01	0.02	0.03	0.04	0.07	0.15	0.30	3363
36	△U	0.02	0.05	0.07	0.09	0.11	0.23			1839
	△C	0.01	0.02	0.04	0.05	0.06	0.12	0.24		2760
42	△U	0.04	0.08	0.12	0.17	0.21	0.41			1320
	△C	0.02	0.04	0.06	0.08	0.09	0.19	0.38		2310
48	△U	0.07	0.14	0.21	0.28	0.35				986
	△C	0.03	0.06	0.08	0.11	0.14	0.28			1972
54	△U	0.11	0.22	0.34	0.45					754
	△C	0.04	0.08	0.12	0.16	0.20	0.40			1696
60	△U	0.17	0.34							590
	△C	0.05	0.11	0.16	0.22					1474
66	△U	0.25	0.50							470
	△C	0.07	0.15	0.22	0.29					1293



Pandadeck® I60150 - 38mm I Bar 60% Open Deflection Table (Metric)

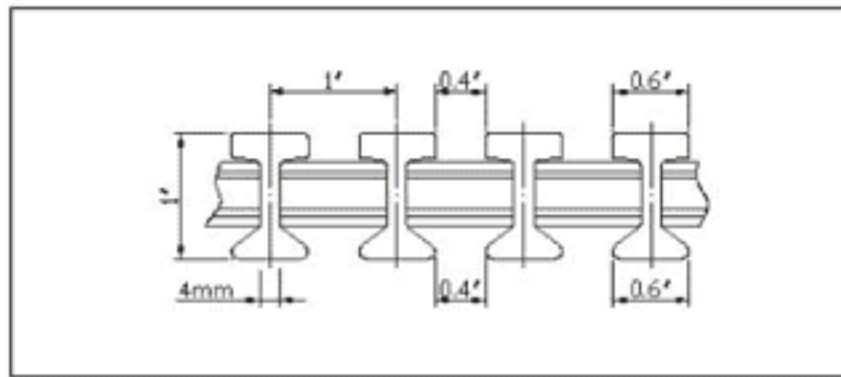
SPAN IN MM		LOAD in kN/SQUARE METERS (PSM) - DEFLECTION IN MILLIMETERS													SAFE LOAD	
		3	5	8	10	13	15	20	25	39	50	100	150	200	250	kn
400	△U	0.0	0.1	0.1	0.1	0.2	0.2	0.3	0.4	0.5	0.7	1.4	2.1	2.8	3.5	504
	△C	0.2	0.3	0.5	0.6	0.7	0.8	1.1	1.4	2.2	2.8	5.6	8.4	11.3	14.1	100
600	△U	0.2	0.3	0.4	0.5	0.7	0.8	1.0	1.3	2.0	2.6	5.2	7.8	10.4	13.0	217
	△C	0.4	0.7	1.1	1.4	1.8	2.1	2.8	3.5	5.4	7.0	13.9				66
800	△U	0.4	0.7	1.2	1.5	1.9	2.2	2.9	3.7	5.7	7.4	14.7				124
	△C	0.9	1.5	2.4	2.9	3.8	4.4	5.9	7.4	11.5	14.7					49
1000	△U	1.0	1.7	2.7	3.4	4.4	5.1	6.8	8.6	13.3						78
	△C	1.6	2.7	4.4	5.5	7.1	8.2	10.9	13.7							38
1200	△U	2.1	3.5	5.6	7.0	9.1	10.5	14.0								50
	△C	2.8	4.7	7.5	9.3	12.1	14.0									30
1400	△U	3.9	6.5	10.4	12.9											36
	△C	4.4	7.4	11.8	14.8											25
1600	△U	6.6	11.0													27
	△C	6.6	11.0													21

Notes

1. All load and deflection data show typical values, calculated and tested by either Chinagrate's own lab or third party;
2. SAFE LOAD represents a 2:1 safety factor.
3. Walking loads, typically 50 PSF, is recommended for pedestrian traffic. Deflections for worker comfort are typically limited to 3/8" or SPAN divided by 120 under full live load. For a firmer feel under full live load or a 250 lb/ft load, limit deflection to 1/4" or SPAN divided by 200;
4. The allowable loads are for STATIC CONDITIONS at ambient temperatures. Allowable loads for impact or dynamic loads should be a maximum of ONE-HALF the value shown. Long term loads will result in added deflection due to creep in the material and will also require higher safety factors to ensure acceptable performance.
5. For application at elevated temperature, consult Chinagrate's directly.

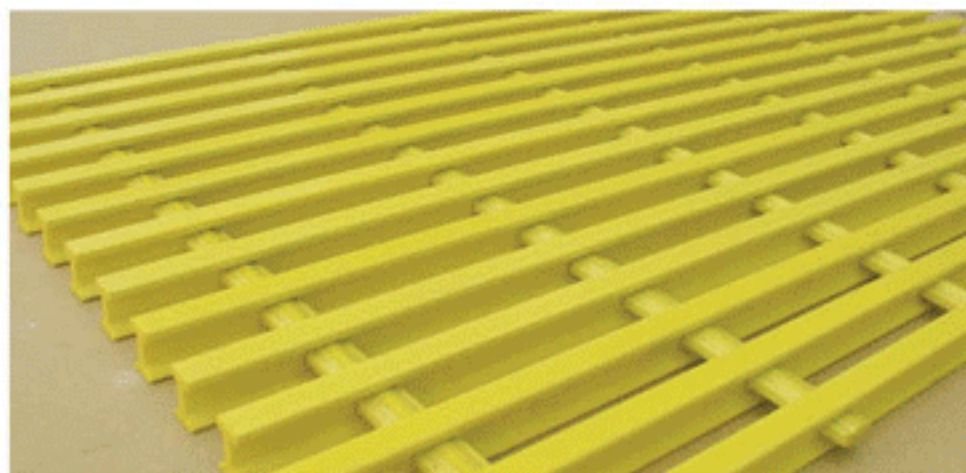
Pandadeck® I40100 - 1" I Bar 40% Open Load Table (Imperial)

SPAN INCHES		LOAD in LBS/SQUARE FOOT (PSF) - DEFLECTION IN INCHES								SAFE LOAD
		50	100	150	200	250	500	1000	2000	LBS
12	ΔU	<0.01	<0.01	<0.01	<0.01	<0.01	0.01	0.02	0.03	15132
	ΔC	<0.01	<0.01	<0.01	<0.01	0.01	0.01	0.03	0.05	7566
18	ΔU	<0.01	<0.01	0.01	0.01	0.02	0.03	0.06	0.13	7208
	ΔC	<0.01	0.01	0.01	0.01	0.02	0.03	0.07	0.14	5406
24	ΔU	0.01	0.02	0.03	0.03	0.04	0.09	0.17		4220
	ΔC	<0.01	0.01	0.02	0.03	0.03	0.07	0.14		4220
30	ΔU	0.02	0.04	0.06	0.08	0.10	0.20			2700
	ΔC	0.01	0.03	0.04	0.05	0.06	0.13	0.26		3376
36	ΔU	0.04	0.08	0.12	0.16	0.20				1875
	ΔC	0.02	0.04	0.07	0.09	0.11	0.22			2813
42	ΔU	0.07	0.15	0.22	0.29	0.37				1372
	ΔC	0.03	0.07	0.10	0.13	0.17	0.34			2400
48	ΔU	0.12	0.25	0.37						1046
	ΔC	0.05	0.10	0.15	0.20	0.25	0.50			2090
54	ΔU	0.20	0.40							725
	ΔC	0.07	0.14	0.21	0.28	0.35				1652



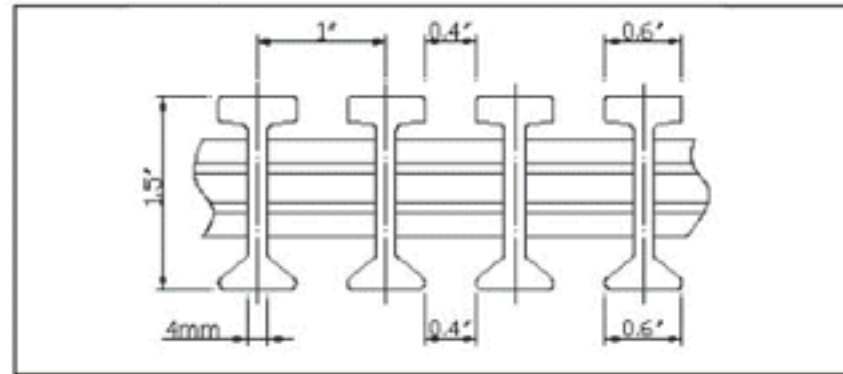
Pandadeck® I40100 - 25mm I Bar 40% Open Deflection Table (Metric)

SPAN IN MM		LOAD in KN/SQUARE METERS (PSM) - DEFLECTION IN MILLIMETERS													SAFE LOAD	
		3	5	8	10	13	15	20	25	39	50	100	150	200	250	kn
400	ΔU	0.1	0.1	0.2	0.2	0.3	0.3	0.4	0.5	0.8	1.1	2.1	3.2	4.3	5.3	446
	ΔC	0.3	0.4	0.7	0.9	1.1	1.3	1.7	2.1	3.3	4.3	8.5	12.8			89
600	ΔU	0.3	0.4	0.7	0.9	1.1	1.3	1.8	2.2	3.4	4.4	8.8	13.1			214
	ΔC	0.7	1.2	1.9	2.3	3.0	3.5	4.7	5.8	9.1	11.7					65
800	ΔU	0.8	1.3	2.1	2.6	3.4	3.9	5.2	6.4	10.1	12.9					124
	ΔC	1.5	2.6	4.1	5.2	6.7	7.7	10.3	12.9							49
1000	ΔU	1.8	3.1	4.9	6.1	8.0	9.2	12.3	15.3							79
	ΔC	2.9	4.9	7.8	9.8	12.7	14.7									39
1200	ΔU	3.7	6.2	9.9	12.4											53
	ΔC	5.0	8.3	13.3												32



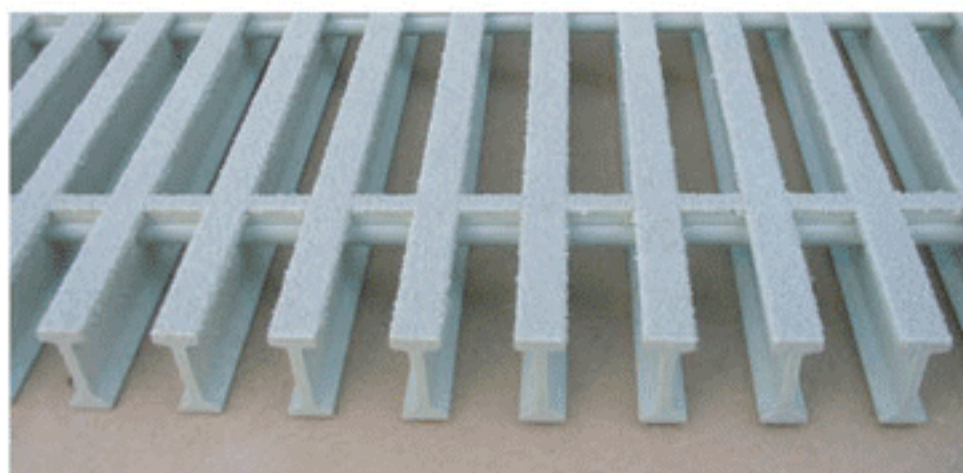
Pandadeck® I40150 - 1.5" I Bar 40% Open Load Table (Imperial)

SPAN INCHES		LOAD in LBS/SQUARE FOOT (PSF) - DEFLECTION IN INCHES								SAFE LOAD
		50	100	150	200	250	500	1000	2000	LBS
12	△U	<0.01	<0.01	<0.01	<0.01	<0.01	<0.01	0.01	0.02	25608
	△C	<0.01	<0.01	<0.01	<0.01	<0.01	0.01	0.01	0.03	12804
18	△U	<0.01	<0.01	<0.01	0.01	0.01	0.01	0.03	0.05	11382
	△C	<0.01	<0.01	<0.01	0.01	0.01	0.01	0.03	0.06	8536
24	△U	<0.01	0.01	0.01	0.01	0.02	0.03	0.07	0.14	6402
	△C	<0.01	<0.01	0.01	0.01	0.01	0.03	0.06	0.11	6402
30	△U	0.01	0.02	0.02	0.03	0.04	0.08	0.15		4035
	△C	<0.01	0.01	0.01	0.02	0.02	0.05	0.10	0.20	5044
36	△U	0.02	0.03	0.05	0.06	0.08	0.15	0.30		2759
	△C	0.01	0.02	0.02	0.03	0.04	0.08	0.16	0.32	4139
42	△U	0.03	0.06	0.08	0.11	0.14	0.28			1980
	△C	0.01	0.03	0.04	0.05	0.06	0.13	0.25		3464
48	△U	0.05	0.09	0.14	0.19	0.23	0.47			1479
	△C	0.02	0.04	0.06	0.07	0.09	0.19	0.37		2959
54	△U	0.07	0.15	0.22	0.30	0.37				1130
	△C	0.03	0.05	0.08	0.11	0.13	0.27			2543
60	△U	0.11	0.23	0.34	0.46					885
	△C	0.04	0.07	0.11	0.15	0.18	0.36			2212
66	△U	0.17	0.33	0.50						705
	△C	0.05	0.10	0.15	0.19	0.24	0.48			1940



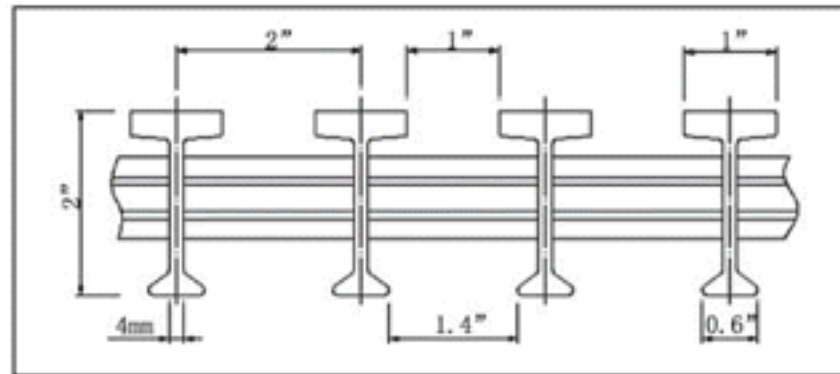
Pandadeck® I40150 - 38mm I Bar 40% Open Deflection Table (Metric)

SPAN IN MM		LOAD in KN/SQUARE METERS (PSM) - DEFLECTION IN MILLIMETERS														SAFE LOAD
		3	5	8	10	13	15	20	25	39	50	100	150	200	250	kn
400	△U	0.0	0.0	0.1	0.1	0.1	0.1	0.2	0.2	0.4	0.5	0.9	1.4	1.9	2.3	756
	△C	0.1	0.2	0.3	0.4	0.5	0.6	0.8	0.9	1.5	1.9	3.8	5.6	7.5	9.4	150
600	△U	0.1	0.2	0.3	0.3	0.5	0.5	0.7	0.9	1.4	1.7	3.5	5.2	7.0	8.7	325
	△C	0.3	0.5	0.7	0.9	1.2	1.4	1.9	2.3	3.6	4.6	9.3	13.9			99
800	△U	0.3	0.5	0.8	1.0	1.3	1.5	2.0	2.5	3.8	4.9	9.8	14.7			185
	△C	0.6	1.0	1.6	2.0	2.6	2.9	3.9	4.9	7.7	9.8					74
1000	△U	0.7	1.1	1.8	2.3	3.0	3.4	4.6	5.7	8.9	11.4					116
	△C	1.1	1.8	2.9	3.7	4.7	5.5	7.3	9.1	14.2						58
1200	△U	1.4	2.3	3.7	4.7	6.1	7.0	9.3	11.7							75
	△C	1.9	3.1	5.0	6.2	8.1	9.3	12.5	15.6							45
1400	△U	2.6	4.3	6.9	8.6	11.2	13.0									55
	△C	3.0	4.9	7.9	9.9	12.8	14.8									38
1600	△U	4.4	7.3	11.7	14.7											40
	△C	4.4	7.3	11.7	14.7											32



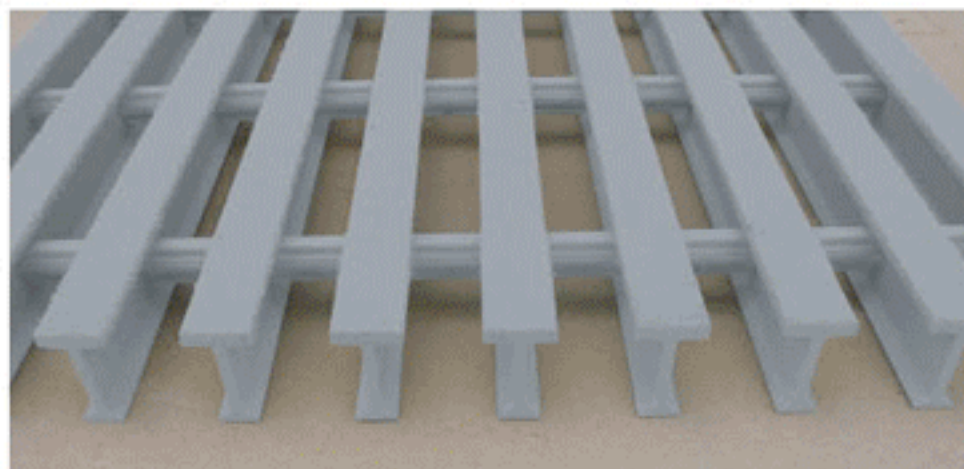
Pandadeck® T50200 - 2" T Bar 50% Open Load Table (Imperial)

SPAN INCHES		LOAD in LBS/SQUARE FOOT (PSF) - DEFLECTION IN INCHES								SAFE LOAD
		50	100	150	200	250	500	1000	1000	LBS
12	△U	<0.01	<0.01	<0.01	<0.01	<0.01	<0.01	0.01	0.01	10993
	△C	<0.01	<0.01	<0.01	<0.01	<0.01	0.01	0.02	0.02	5496
18	△U	<0.01	<0.01	0	0.01	0.01	0.01	0.03	0.03	7310
	△C	<0.01	<0.01	<0.01	0.01	0.01	0.01	0.03	0.03	5496
24	△U	<0.01	0.01	0.01	0.01	0.02	0.03	0.07	0.07	5496
	△C	<0.01	<0.01	0.01	0.01	0.01	0.03	0.05	0.05	5496
30	△U	0.01	0.01	0.02	0.03	0.04	0.07	0.14	0.14	3517
	△C	<0.01	0.01	0.01	0.02	0.02	0.05	0.09	0.09	4398
36	△U	0.01	0.03	0.04	0.06	0.07	0.14	0.28	0.28	2443
	△C	0.01	0.01	0.02	0.03	0.04	0.07	0.15	0.15	3665
42	△U	0.02	0.05	0.07	0.10	0.12	0.25			1795
	△C	0.01	0.02	0.03	0.05	0.06	0.11	0.23	0.23	3141
48	△U	0.04	0.08	0.12	0.17	0.21	0.41			1374
	△C	0.02	0.03	0.05	0.07	0.08	0.17	0.33	0.33	2749
54	△U	0.06	0.13	0.19	0.26	0.32				1086
	△C	0.02	0.05	0.07	0.09	0.11	0.23	0.46	0.46	2443
60	△U	0.10	0.20	0.29	0.39	0.49				880
	△C	0.03	0.06	0.09	0.13	0.16	0.31			2199
66	△U	0.14	0.29	0.43						727
	△C	0.04	0.08	0.12	0.17	0.21	0.42			1998
72	△U	0.20	0.40							610
	△C	0.05	0.11	0.16	0.22	0.27				1832
78	△U	0.28								520
	△C	0.07	0.14	0.20	0.27	0.34				1692
84	△U	0.37								449
	△C	0.09	0.17	0.26	0.34	0.43				1570



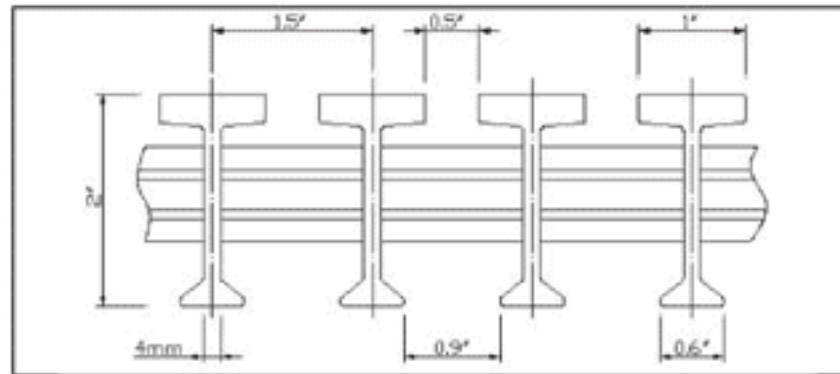
Pandadeck® T50200 - 50mm T Bar 50% Open Deflection Table (Metric)

SPAN IN MM		LOAD in kN/SQUARE METERS (PSM) - DEFLECTION IN MILLIMETERS														SAFE LOAD
		3	5	8	10	13	15	20	25	39	50	100	150	200	250	kn
400	△U	0.0	0.1	0.1	0.1	0.1	0.2	0.2	0.3	0.4	0.5	1.0	1.6	2.1	2.6	279
	△C	0.1	0.2	0.3	0.4	0.5	0.6	0.8	1.0	1.6	2.1	4.1	6.2	8.3	10.3	84
600	△U	0.1	0.2	0.3	0.3	0.4	0.5	0.7	0.9	1.3	1.7	3.4	5.2	6.9	8.6	162
	△C	0.3	0.5	0.7	0.9	1.2	1.4	1.8	2.3	3.6	4.6	9.2	13.8			65
800	△U	0.3	0.5	0.7	0.9	1.2	1.4	1.8	2.3	3.5	4.5	9.0	13.6			103
	△C	0.5	0.9	1.4	1.8	2.4	2.7	3.6	4.5	7.1	9.0					52
1000	△U	0.6	1.0	1.7	2.1	2.7	3.1	4.2	5.2	8.1	10.4					69
	△C	1.0	1.7	2.7	3.3	4.3	5.0	6.6	8.3	13.0						42
1200	△U	1.2	2.1	3.3	4.1	5.4	6.2	8.3	10.3							53
	△C	1.7	2.8	4.4	5.5	7.2	8.3	11.0	13.8							37
1400	△U	2.2	3.7	6.0	7.4	9.7	11.2	14.9								40
	△C	2.6	4.3	6.8	8.5	11.1	12.8									32
1600	△U	3.8	6.3	10.1	12.6											32
	△C	3.8	6.3	10.1	12.6											28



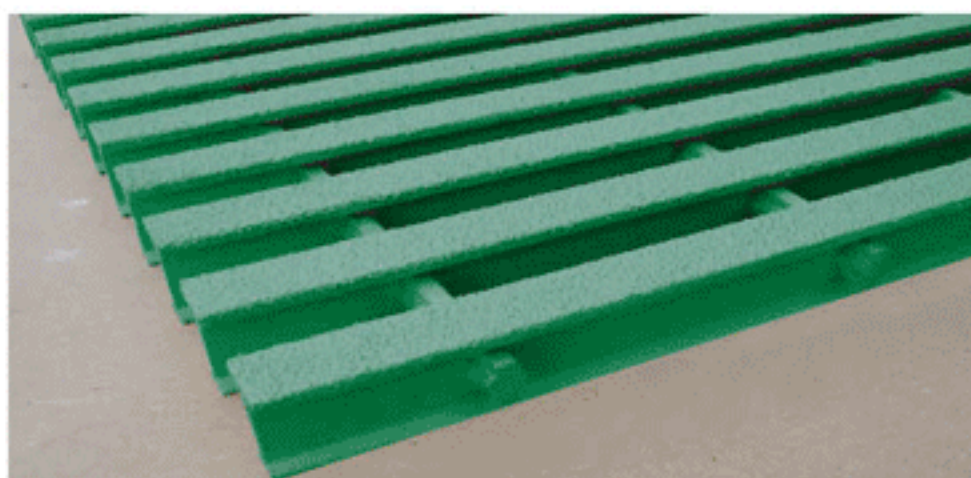
Pandadeck® T33200 - 2" T Bar 33% Open Load Table (Imperial)

SPAN INCHES		LOAD in LBS/SQUARE FOOT (PSF) - DEFLECTION IN INCHES								SAFE LOAD
		50	100	150	200	250	500	1000	2000	LBS
12	ΔU	<0.01	<0.01	<0.01	<0.01	<0.01	<0.01	0.01	0.01	14657
	ΔC	<0.01	<0.01	<0.01	<0.01	<0.01	<0.01	0.01	0.02	7328
18	ΔU	<0.01	<0.01	<0.01	<0.01	<0.01	0.01	0.02	0.04	9747
	ΔC	<0.01	<0.01	<0.01	<0.01	0.01	0.01	0.02	0.04	7328
24	ΔU	<0.01	<0.01	0.01	0.01	0.01	0.03	0.05	0.10	7328
	ΔC	<0.01	<0.01	<0.01	0.01	0.01	0.02	0.04	0.08	7328
30	ΔU	0.01	0.01	0.02	0.02	0.03	0.05	0.11	0.21	4690
	ΔC	<0.01	<0.01	0.01	0.01	0.02	0.03	0.07	0.14	5864
36	ΔU	0.01	0.02	0.03	0.04	0.05	0.11	0.21		3257
	ΔC	0.01	0.01	0.02	0.02	0.03	0.06	0.11	0.22	4886
42	ΔU	0.02	0.04	0.06	0.07	0.09	0.19	0.37		2393
	ΔC	0.01	0.02	0.03	0.03	0.04	0.09	0.11	0.34	4187
48	ΔU	0.03	0.06	0.09	0.12	0.16	0.31			1832
	ΔC	0.01	0.02	0.04	0.05	0.06	0.12	0.25		3665
54	ΔU	0.05	0.10	0.15	0.19	0.24	0.48			1448
	ΔC	0.02	0.03	0.05	0.07	0.09	0.17	0.34		3257
60	ΔU	0.07	0.15	0.22	0.29	0.37				1173
	ΔC	0.02	0.05	0.07	0.09	0.12	0.23	0.47		2931
66	ΔU	0.11	0.21	0.32	0.43					969
	ΔC	0.03	0.06	0.09	0.12	0.16	0.31			2665
72	ΔU	0.15	0.30	0.45						814
	ΔC	0.04	0.08	0.12	0.16	0.20	0.40			2443
78	ΔU	0.21	0.42							694
	ΔC	0.05	0.10	0.15	0.20	0.26				2255
84	ΔU	0.28								598
	ΔC	0.06	0.13	0.19	0.26	0.32				2094



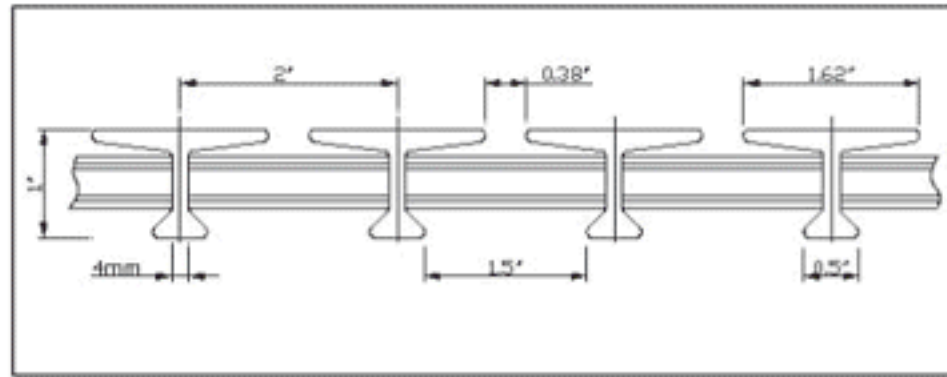
Pandadeck® T33200 - 50mm T Bar 33% Open Deflection Table (Metric)

SPAN IN MM		LOAD in kN/SQUARE METERS (PSM) - DEFLECTION IN MILLIMETERS														SAFE LOAD
		3	5	8	10	13	15	20	25	39	50	100	150	200	250	kn
400	ΔU	0.0	0.1	0.1	0.1	0.1	0.2	0.2	0.3	0.4	0.5	1.0	1.6	2.1	2.6	372
	ΔC	0.1	0.2	0.3	0.4	0.5	0.6	0.8	1.0	1.6	2.1	4.1	6.2	8.3	10.3	112
600	ΔU	0.1	0.2	0.3	0.3	0.4	0.5	0.7	0.9	1.3	1.7	3.4	5.2	6.9	8.6	215
	ΔC	0.3	0.5	0.7	0.9	1.2	1.4	1.8	2.3	3.6	4.6	9.2	13.8			87
800	ΔU	0.3	0.5	0.7	0.9	1.2	1.4	1.8	2.3	3.5	4.5	9.0	13.6			137
	ΔC	0.5	0.9	1.4	1.8	2.4	2.7	3.6	4.5	7.1	9.0					69
1000	ΔU	0.6	1.0	1.7	2.1	2.7	3.1	4.2	5.2	8.1	10.4					92
	ΔC	1.0	1.7	2.7	3.3	4.3	5.0	6.6	8.3	13.0						57
1200	ΔU	1.2	2.1	3.3	4.1	5.4	6.2	8.3	10.3							70
	ΔC	1.7	2.8	4.4	5.5	7.2	8.3	11.0	13.8							49
1400	ΔU	2.2	3.7	6.0	7.4	9.7	11.2	14.9								54
	ΔC	2.6	4.3	6.8	8.5	11.1	12.8									42
1600	ΔU	3.8	6.3	10.1	12.6											42
	ΔC	3.8	6.3	10.1	12.6											37



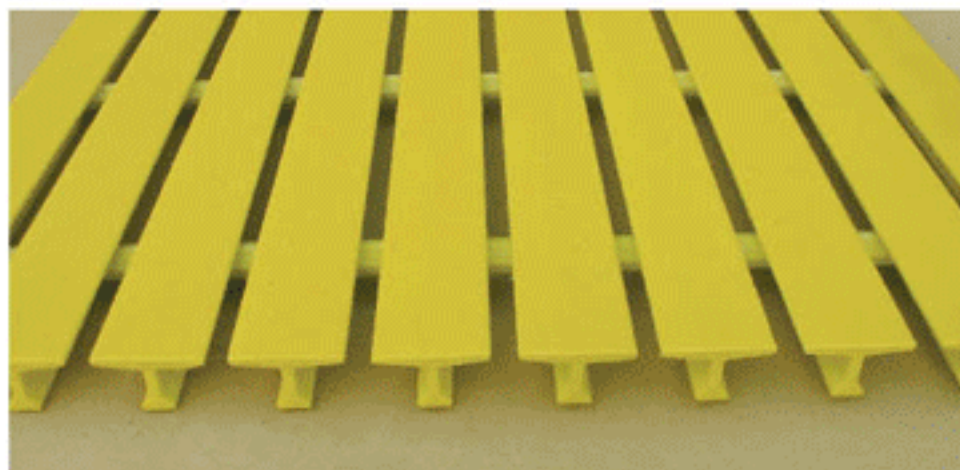
Pandadeck® T18100 - 1" T Bar 18% Open Load Table (Imperial)

SPAN INCHES		LOAD in LBS/SQUARE FOOT (PSF) - DEFLECTION IN INCHES								SAFE LOAD
		50	100	150	200	250	500	1000	2000	LBS
12	ΔU	<0.01	<0.01	<0.01	<0.01	<0.01	0.01	0.02	0.05	10360
	ΔC	<0.01	<0.01	<0.01	0.01	0.01	0.02	0.04	0.08	5180
18	ΔU	<0.01	0.01	0.02	0.02	0.03	0.05	0.11	0.22	4604
	ΔC	<0.01	0.01	0.02	0.02	0.03	0.06	0.10	0.22	3453
24	ΔU	0.02	0.03	0.05	0.06	0.08	0.16	0.31		2590
	ΔC	0.01	0.03	0.04	0.05	0.06	0.12	0.25		2590
30	ΔU	0.04	0.07	0.11	0.14	0.18				1642
	ΔC	0.02	0.04	0.07	0.09	0.11	0.22	0.45		2053
36	ΔU	0.06	0.12	0.18	0.24	0.31				1122
	ΔC	0.03	0.07	0.10	0.13	0.16	0.33			1684
42	ΔU	0.11	0.22	0.33	0.44					808
	ΔC	0.05	0.10	0.15	0.20	0.25				1414
48	ΔU	0.19	0.37							606
	ΔC	0.07	0.15	0.22	0.30	0.37				1213



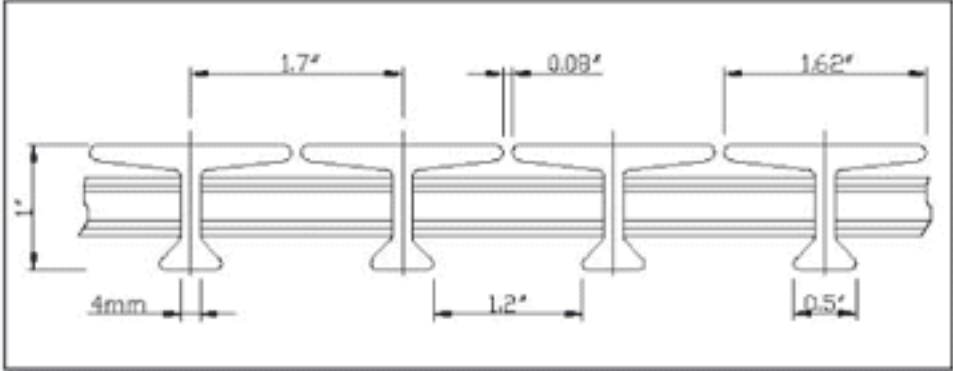
Pandadeck® T18100 - 25mm T Bar 18% Open Deflection Table (Metric)

SPAN IN MM		LOAD in kN/SQUARE METERS (PSM) - DEFLECTION IN MILLIMETERS														SAFE LOAD
		3	5	8	10	13	15	20	25	39	50	100	150	200	250	kn
400	ΔU	0.1	0.2	0.3	0.3	0.5	0.6	0.7	0.9	1.3	1.7	3.3	4.9	6.6	8.2	305
	ΔC	0.4	0.6	1.0	1.4	1.8	2.1	2.8	3.3	5.2	6.6	13.1				61
600	ΔU	0.4	0.7	1.0	1.3	1.7	2.0	2.6	3.3	5.1	6.6	13.1				131
	ΔC	1.0	1.7	2.8	3.7	4.6	5.4	7.2	8.9	13.9						39
800	ΔU	1.2	1.9	3.3	4.1	5.2	5.9	7.9	9.8							75
	ΔC	2.3	3.9	6.2	7.9	10.2	11.9	15.9								24
1000	ΔU	2.8	4.6	7.5	9.4	12.2	14.1									47
	ΔC	4.4	7.5	12.0	14.9											24
1200	ΔU	5.6	9.5	14.9												30
	ΔC	7.5	12.4													19



Pandadeck® T00100 - 1" T Bar 0% Open Load Table (Imperial)

SPAN INCHES		LOAD in LBS/SQUARE FOOT (PSF) - DEFLECTION IN INCHES								SAFE LOAD
		50	100	150	200	250	500	1000	2000	LBS
12	ΔU	<0.01	<0.01	<0.01	<0.01	<0.01	0.01	0.02	0.04	12432
	ΔC	<0.01	<0.01	<0.01	0.01	0.01	0.02	0.03	0.07	6216
18	ΔU	<0.01	0.01	0.02	0.02	0.02	0.04	0.09	0.18	5524
	ΔC	<0.01	0.01	0.02	0.02	0.02	0.05	0.08	0.18	4144
24	ΔU	0.02	0.02	0.04	0.05	0.07	0.13	0.25		3108
	ΔC	0.01	0.02	0.03	0.04	0.05	0.10	0.20		3108
30	ΔU	0.03	0.06	0.09	0.11	0.15				1971
	ΔC	0.02	0.03	0.06	0.07	0.09	0.18	0.37		2463
36	ΔU	0.05	0.10	0.15	0.20	0.25				1347
	ΔC	0.02	0.06	0.08	0.11	0.13	0.27			2021
42	ΔU	0.09	0.18	0.27	0.36					970
	ΔC	0.04	0.08	0.12	0.16	0.20				1697
48	ΔU	0.15	0.30							728
	ΔC	0.06	0.12	0.18	0.24	0.30				1455



Pandadeck® T00100 - 25mm T Bar 0% Open Deflection Table (Metric)

SPAN IN MM		LOAD in kN/SQUARE METERS (PSM) - DEFLECTION IN MILLIMETERS														SAFE LOAD
		3	5	8	10	13	15	20	25	39	50	100	150	200	250	kn
400	ΔU	0.1	0.2	0.2	0.2	0.4	0.5	0.6	0.7	1.1	1.4	2.7	4.0	5.4	6.7	305
	ΔC	0.3	0.5	0.8	1.1	1.5	1.7	2.3	2.7	4.2	5.4	10.7				61
600	ΔU	0.3	0.6	0.8	1.1	1.4	1.6	2.1	2.7	4.1	5.4	10.7				131
	ΔC	0.8	1.4	2.3	3.0	3.7	4.4	5.9	7.2	11.3						39
800	ΔU	1.0	1.5	2.7	3.3	4.2	4.8	6.4	8.0							75
	ΔC	1.9	3.2	5.0	6.4	8.3	9.7	12.9								24
1000	ΔU	2.3	3.7	6.1	7.6	9.9	11.5									47
	ΔC	3.6	6.1	9.8	12.1											24
1200	ΔU	4.6	7.7	12.1												30
	ΔC	6.1	10.1													19



How to specify Pandagrate Pultruded Gratings?

Fiberglass grating shall be Pandadeck series _____ as manufactured by Chinagrate, Nantong, China. Resin shall be (VE, IS, ISF, or OR), (Class 1 rating of 25 or less per ASTM E-84 and meets the self extinguishing requirements of ASTM D-635. Resin shall be UV inhibited and all pultrusion composite shall include a veil on all exposed surfaces. Grating shall have a mechanical locking cross-rod system of ____ (2-part or 3-part), spaced at (6" or 12"). Color shall be (yellow, gray or green). The bearing bars shall be spaced at ____ inches on center.

The surface of the panels shall be covered (with or without) an epoxy bonded grit.

Grating shall be able to carry a uniform distributed load of ____ lbs. /sq. ft on a simple span of ____ inches and not deflect more than 0.25 inches.

Chinagrate Composite Structures (Nantong) Co. Limited

11 South Tong Fu Road, NTETDZ 226009
Nantong, Jiangsu Province, People's Republic of China
Tel: 86-513-85921357 X 202 International Dept.
Fax: 86-513-85920767
Email: info@chinagrate.com
Website: www.chinagrate.com

A Full subsidiary of FRP Grating, Inc.(US Corporate Office)

955 South Virginia Street
Suite 116
Reno, Nevada 89502 USA

FRP Grating, Inc.(San Francisco Office)

20 Stonepine Court
Suite 598
Hillsborough, CA 94010
Tel: 650-548-0968
Fax 650-548-5356
Email: sfo@chinagrate.com